

ATX™ HBD Series Bulkhead Luminaires

Flameproof. Incandescent, Compact Fluorescent, Mixed

ATEX:
Zone 1 and 2 – 21 and 22
Ⓢ II 2 GD
IP66 - IK08

Applications

- Suitable for use in:
 - Stairways
 - Small areas
 - Emergency exit

Features

- HBDR
 - Lamps (not supplied)
 - Incandescent 200 W maximum
 - Compact Fluorescent 23 W maximum
 - Mixed 160 W maximum
 - Threaded flameproof joint.
 - Operates on ceiling and wall.
- HBDO
 - Incandescent 60 W to 100 W maximum
 - Compact fluorescent 15 W maximum
 - Operates in any position.
 - For incandescent 60 W and 100 W a high temperature cable 106 °C (223 °F) is required.
- Lamps are not supplied.
- E27 lampholder.
- Fixing by two integrated brackets.
- Connection to lampholder via two terminals 2.5 mm² (0.004 in²).
- Internal earth two terminals 2.5 mm² (0.004 in²).
- External earth one 4 mm² (0.006 in²).
- 3 x M20 threaded entries in “T” formation.
- Supplied with two blanking plugs M20.

Standard Materials

- Body and bezel: gray painted aluminum
- Glass: sealed toughened lamp glass
- Protective guard: zinc plated steel

ATEX Certifications and Compliances

- HBRD
 - Certification Type: HBRd
 - Gas: Zones 1 and 2
 - Conforming to ATEX 94/9/CE: Ⓢ II 2 G
 - ATEX/IEC Protection: Ex d IIC
 - T Rating: See *T Rating for Gas Table*
 - Dust: Zones 21 and 22
 - Conforming to ATEX 94/9/CE: Ⓢ II 2 D
 - ATEX/IEC Protection: Ex tD A21
 - Ambient Temperature: -40 °C to +55 °C (-40 °F to +131 °F)
 - CE Declaration of Conformity: 50242
 - ATEX Certificate: LCIE 02 ATEX 6163
- HBDO
 - Certification Type: HBOD
 - Gas: Zones 1 and 2
 - Conforming to ATEX 94/9/CE: Ⓢ II 2 G
 - Type of Protection: Ex d IIB
 - Temperature Class: See *T Rating for Gas Table*
 - Dust: Zones 21 and 22
 - Conforming to ATEX 94/9/CE: Ⓢ II 2 D
 - Type of Protection: Ex tD A21
 - Ambient Temperature: -20 °C to +40 °C (-4 °F to +104 °F)
 - CE Declaration of Conformity: 50234
 - ATEX Certificate: LCIE 02 ATEX 6162



HBDR
Round Bulkhead



HBDO
Oval Bulkhead

- Index of Protection according EN/IEC 60529: IP66
- Impact Resistance (shock): IK08
- Internal Volume: > 2 dm³ (122 in³) - 2 liters

EURASEC Certification

- EURASEC N° TC RU C-FR.Г505.B.00912

Other Certification

- HBDO
 - Certification Type: HBOD
 - INMETRO Certificate: BVC11.0597 ①

① Inmetro certification available on special request only. Contact your local sales representative for more information.

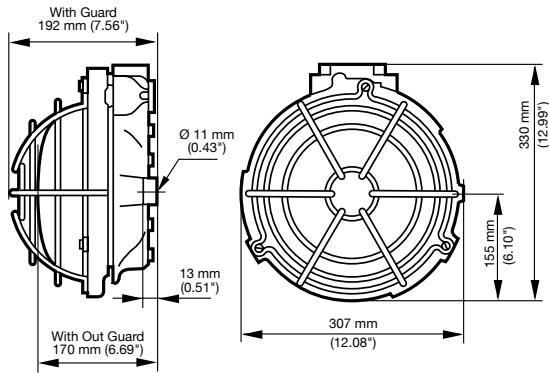
ATX™ HBD Series Bulkhead Luminaires

Flameproof. Incandescent, Compact Fluorescent, Mixed

ATEX:
 Zone 1 and 2 – 21 and 22
 II 2 GD
 IP66 - IK08

HBDR Series Bulkhead Luminaires – Incandescent, Compact Fluorescent, Mixed

Dimensions in Millimeters (Inches)

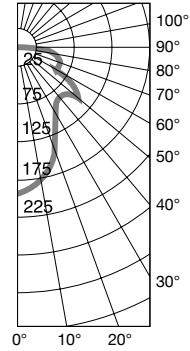


Photometric Data ①

Incandescent
 NF C 71-120: .068 G + 0.01 T

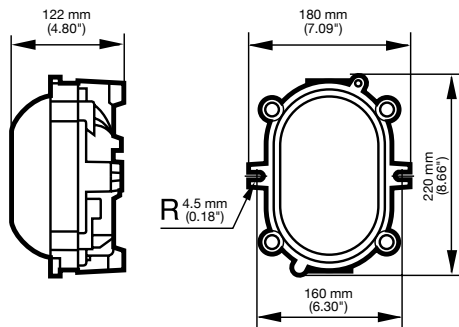
CANDELA DISTRIBUTION

0	185
5	178
10	171
15	156
20	132
25	110
30	97
35	87
40	90
45	100
50	96
60	58
70	58



HBDO Series Bulkhead Luminaire – Incandescent, Compact Fluorescent

Dimensions in Millimeters (Inches)

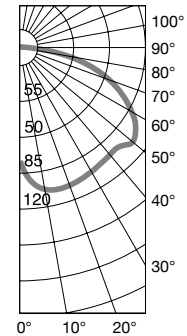


Photometric Data ①

Incandescent
 NF C 71-120: .068 H

CANDELA DISTRIBUTION

0	67
5	94
10	96
15	99
20	99
25	97
30	95
35	96
40	91
45	91
50	98
60	87
70	69



① Polar curves for a 1000 lm output according to NF C 71-120. Luminaire symbol according to NF C 71-121.


ATX™ HBDR Series Bulkhead Luminaires

Flameproof. Incandescent, Compact Fluorescent, Mixed

ATEX:
Zone 1 and 2 – 21 and 22
II 2 GD
IP66 - IK08

Appleton®

INCANDESCENT/AREA: ATEX/IECx FLAMEPROOF

	Weight kg (lb)	Volume dm ³ (in ³)	Catalog Number
	7.5 (16.53)	23.4 (51.59)	HBDR

Accessories	Catalog Number
Protective Guard	HBDRPGZ

T Rating for Gas ①

Lamp Type and Wattage		Ambient Temperature	Operating Positions				Wall	
			Ceiling				+50 °C (122 °F)	+55 °C (+131 °F)
Wattage	Type		+40° C (+104° F)	+50° C (122° F)	+55 °C (+131 °F)	+40° C (+104° F)	+50° C (122° F)	+55 °C (+131 °F)
8	Compact Fluorescent	T Rating	T6	T6	T6	T6	T6	T6
15	Compact Fluorescent	T Rating	T6	T6	T6	T6	T6	T6
23	Compact Fluorescent	T Rating	T6	T6	T6	T5	T5	T4
100	Incandescent	T Rating	T5	T4	T4	T5	T4	T4
200	Incandescent	T Rating	T4	T4	T4	T4	T4	T4
		T° at cable entry	—	+84° C (+183° F)	+89° C (+192° F)	—	+84° C (+183° F)	+89° C (+192° F)
100	Mixed	T Rating	T4	T4	T4	T4	T4	T4
180	Mixed	T Rating	T3	T3	T3	T3	T3	T3
		T° at cable entry	—	+87 C (+188° F)	+92° C(+198° F)	—	+87 C (+188° F)	+92° C(+198° F)

Surface Temperature for Dust ①


Lamp Type and Wattage		Ceiling		Operating Positions		Wall	
		Surface T° for Ta = +55 °C (+131 °F)	T° at Cable Entry Ta= +55 °C (+131 °F)	Surface T° for Ta= +55 °C (+131 °F)	Surface T° for Ta= +55 °C (+131 °F)	T° at Cable Entry Ta= +55 °C (+131 °F)	T° at Cable Entry Ta= +55 °C (+131 °F)
Wattage	Type						
8	Compact Fluorescent	+60 °C (+140 °F)	—	+70 °C (+158 °F)	—	—	—
15	Compact Fluorescent	+64 °C (+147 °F)	—	+76 °C (+169 °F)	—	—	—
23	Compact Fluorescent	+69 °C (+156 °F)	—	+96 °C (+205 °F)	—	—	—
100	Incandescent	+105 °C (+221 °F)	—	+105 °C (+221 °F)	—	—	—
200	Incandescent	+130 °C (+266 °F)	+89 °C (+192 °F)	+130 °C (+266 °F)	—	+89 °C (+192 °F)	—
100	Mixed	+130 °C (+266 °F)	—	+130 °C (+266 °F)	—	—	—
160	Mixed	+149 °C (+300 °F)	+92 °C (+198 °F)	+149 °C (+300 °F)	—	+92 °C (+198 °F)	—

① No need for high temperature cable for cable entry temperature less than +80 °C (+176 °F).

ATX™ HBDO Series Bulkhead Luminaires

Flameproof. Incandescent, Compact Fluorescent

ATEX:
 Zone 1 and 2 – 21 and 22
 II 2 GD
 IP66 - IK08

	Weight kg (lb)	Volume dm ³ (in ³)	Catalog Number
	3 (6.61)	9 (19.84)	HBDO

Accessories

	Catalog Number
Protective Guard	HBDOPGZ
Terminal block For through wiring 2 x 2.5 mm ² (0.003 x 0.004 in ²) with high temperature sleeve	094784

T Rating for Gas ①

Lamp Type and Wattage		Temperature Class for Ta = +40 °C (+104 °F)	T° at Cable Input for Ta = +40 °C (+104 °F)
Wattage	Type		
7	Compact Fluorescent	T6	—
11	Compact Fluorescent	T6	—
15	Compact Fluorescent	T6	—
60	Incandescent	T4	+106 °C (+223 °F)
100	Incandescent	T4	+106 °C (+223 °F)

T Rating for Dust ①

Lamp Type and Wattage		Temperature Class for Ta = +40 °C (+104 °F)
Wattage	Type	
7	Compact Fluorescent	+76 °C (+169 °F)
11	Compact Fluorescent	+76 °C (+169 °F)
15	Compact Fluorescent	+76 °C (+169 °F)
60	Incandescent	+119 °C (+246 °F)
100	Incandescent	+119 °C (+246 °F)

① No need for high temperature cable for cable entry temperature less than +80 °C (+176 °F).